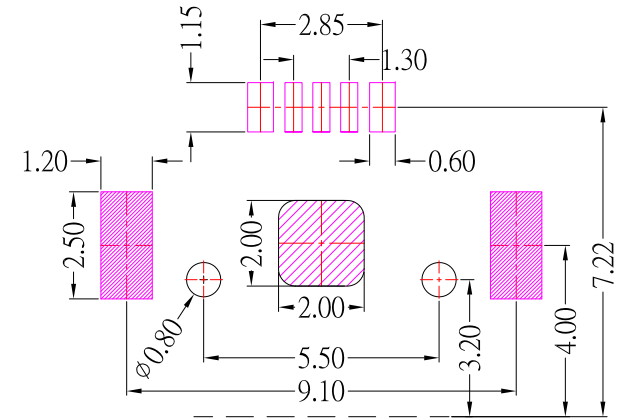
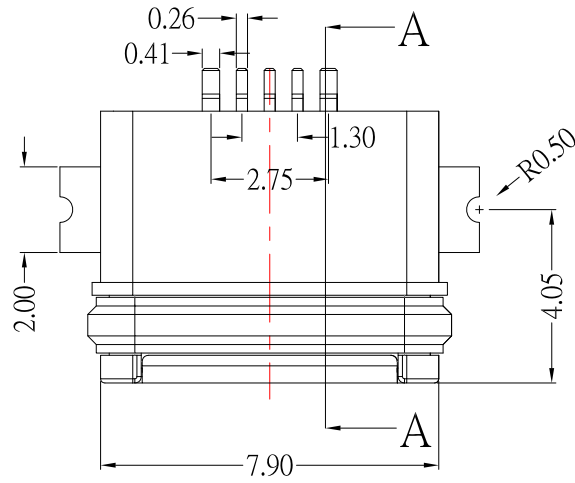
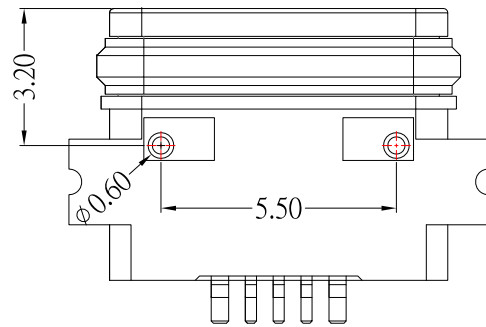
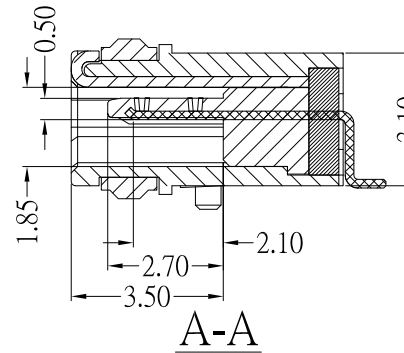
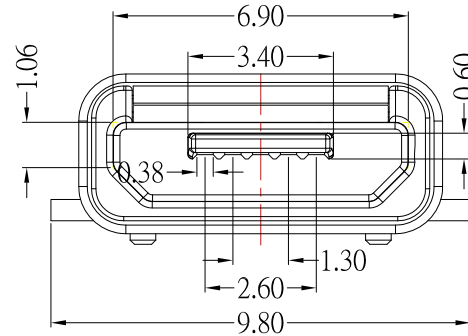
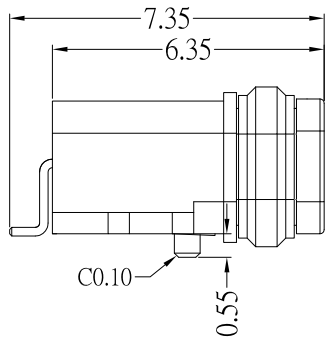




IPX7



P.C.B LAYOUT MOUNTING PATTERN



NOTES:

MATERIAL:

1.1 HOUSING: HIGH TEMPERATURE

1.2 CONTACT: COPPER ALLOY

1.3 SHELL: SUS

FINISH:

2.1 CONTACT: PLATED GOLD IN MATING AREA ;  
GOLD PLATED ON SOLDER BALLS ;  
NICKEL UNDER PLATED OVERALL

2.2 SHELL: NICKEL UNDER PLATED SURFACE LAYER

3.SPECIFICATION:

3.1 RATING: 1.8A(PIN1&5) , 1.0A(PIN2&3&4)

3.2 DIELECTRIC WITHSTANDING VOLTAGE: 100 VAC

3.3 CONTACT RESISTANCE: 30 mΩ MAX.

3.4 INSULATION RESISTANCE: 1000 MΩ MIN.

3.5 TEMPERATURE RANG: -30°C ~ 80°C

**CONTACT** 建倚科技股份有限公司  
**CONTACT TECHNOLOGY CORP.**

TOLERANCE UNLESS OTHERWISE STATED:  
Up to 5 ±0.2  
Above 5 ~ 15 ±0.3  
Above 15 ~ 30 ±0.4  
Above 30 ~ 50 ±0.5  
Angle ±0.3°

3RD. ANGEL'S

UNITS MM

DRAWN BY:	DATE	MAT'L	TITLE	CONNECTOR
Jack Lu	12/06/19		MODLE	MICRO USB 5P B TYPE H 3.10 有定位住 防水型
CHECKED BY:	DATE	FINISH	SCALE	1 : 1
Jacky Chen	12/06/19		DWG NO.	MRUSB-5B-WP16E-S347
APPROVED BY:	DATE	SHEET NO.	PART NO.	MRUSB-5B-WP16E-S347
Tony Kao	12/06/19	1 of 1		

ITEM NO.	DESCRIPTION	DRAWN	DATE